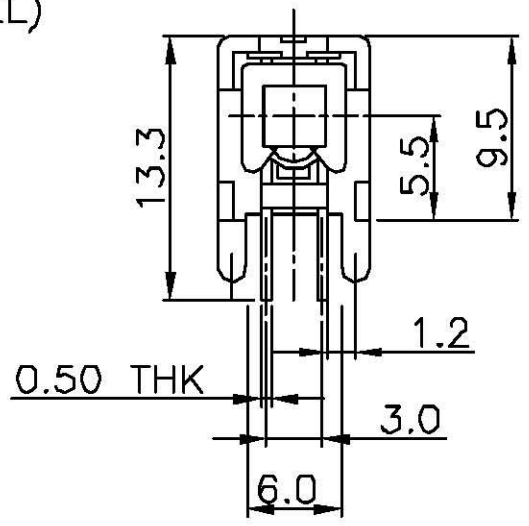
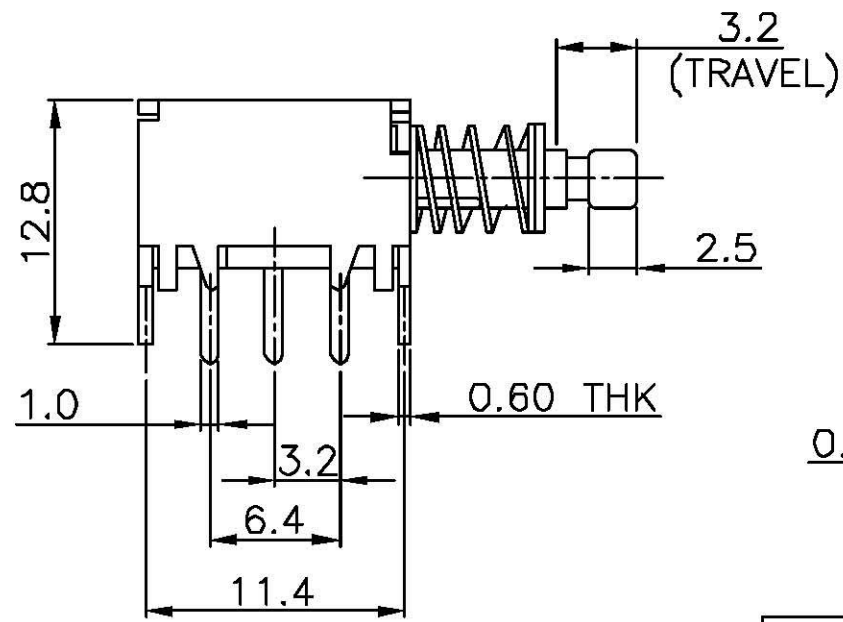
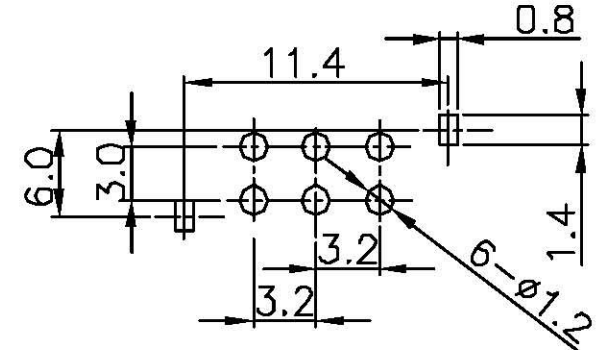
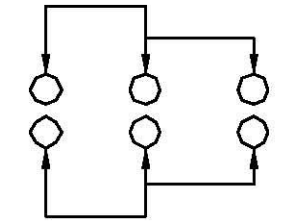


P.C.B LAYOUT



CIRCUIT



海立電氣股份有限公司 HIGHLY ELECTRIC CO.,LTD.

0.000'±	0.000	SCALE	2 : 1	EDITION	A	MATERIAL
0.00'±0.5'	0.00±0.12	APPROVER/DATE		UNIT	m/m	PROCESS
0.0'±1'	0.0±0.25	CHECKED/DATE			TYPE NO.	PS2103□ P
0°±2'	0±0.50	DRAWN/DATE	徐想書 2003.11.14		DRG NO.	PS2103□ P
ANGULAR TOLERANCE		LINEAR TOLERANCE				